



gas fireplace
inserts



why choose Regency?

Beautiful Home Heating Solutions

Regency Fireplace Products was founded over 30 years ago with a mission to produce the finest fireplace products available anywhere. Regency has heating solutions for any room in any home.

Regency Quality

The Regency name means quality in every way. The product is created and built in a world class manufacturing facility focused on getting every detail just right. Represented across North America by a carefully selected professional retail network; you can rely on knowledgeable dealers and installers who understand how to make our products run safely and to the optimum performance.

Exceptional Fire

The essence of each and every Regency fireplace is the unique flame. With its dancing flames and glowing embers, realistic logs or unique Sunrise burners your Regency fire is spectacular.

Custom Styling

By researching current trends and styles we have created tasteful options and accessories that allow you to tailor the look of our fireplace to your home. Sleek and simple or grand and glamorous... the choice is yours.

Cut Home Heating Bills in Half!

Turn down your furnace and zone heat with high efficiency heat just in the rooms you spend time in. This will lower your home heating bills. The entire Regency Gas Fireplace Insert line produces consistent, controllable warmth even during power outages.

One Regency = One Tree

At Regency, we are committed to protecting our environment. For every Regency sold, we will plant a tree. Working with *American Forests*, the trees planted across North America will offset carbon emissions and take one more step to restore nature's balance.

Lifetime Warranty

I am so confident in the quality workmanship, the finest materials and durable heavy-duty construction invested in each and every product, that I offer a Limited Lifetime Warranty. The Regency warranty is the best in the industry. We are absolutely sure that you will be as proud of your Regency Gas Fireplace Insert as we are – I guarantee it.

Robert Little
Founder & CEO





index

Sunrise™ Gas Fireplace Inserts	4
Sunrise E33S	
Sunrise U32S	
Energy Gas Fireplace Inserts	
Energy E33	6
Energy U32, U31	8
Energy E21	10
Liberty Gas Fireplace Inserts	
Liberty L234	12
Design Choices	16
Technical specs	18



Sunrise™ E33S & U32S

Contemporary Gas Inserts



Regency E33S Sunrise Gas Insert

Finally, contemporary fireplace inserts that present a modern look while providing high efficiency heat. The tasteful surround has been designed with subtle dimension and clean, straight lines that draw the eye to the delicate Regency Sunrise™ fire with cobalt blue crystals. Transform your drafty fireplace to a modern heater instantly!





E33S Sunrise shown with white river pebbles.

E33 shown with contemporary surround and brick panels.

Sunrise fire with ceramic spa stones.

Specifications	E33S	U32S
	Natural Gas	Natural Gas
Input (BTU)	26,000	24,500
Turn down to (BTU)	13,500	16,500
EnerGuide Rating*	55.50%	49.61%
Efficiency (steady state)	69.58%	66.97%
Min. Fireplace Opening	E33S	U32S
Width (front)	32-1/4"	26-1/2"
Width (rear)	25"	22-1/2"
Height	24-1/2"	22"
Depth	16-3/4"	14"

* for Canada only

For detailed specifications please see pages 18-19.

Standard Features

- Natural Gas
- Contemporary surround and door frame (sold separately)
- Sunrise™ fire with cobalt blue crystals (patent pending)
- Easy access controls
- Variable speed blower
- Flush front with ceramic safety glass
- 30° angled flue for versatile installations (E33 only)
- Direct vent

Optional Features

- White or Natural River Pebbles
- Ceramic spa stones
- Crystals in various colors
- 2" or 4" hearth trim
- Remote Control or Thermostat
- Regency flex venting
- Propane conversion kit

Energy E33

Large Gas Insert



Regency E33 gas insert featuring gold louvers, brick panels and contour faceplate

With 38,000 BTU of comforting, controllable heat and a full, yellow fire, this insert is guaranteed to warm your room quickly and consistently. This Direct Vent Gas Insert is perfect for airtight homes or basements because the sealed firebox doesn't use internal air. All Regency gas inserts can be enjoyed from the comfort of your sofa with the Regency remote control or wall thermostat.





Shown with Excalibur surround, double doors and accent kit.



Shown with black full screen doors and brick panels.



Shown with contemporary surround, door frame and brick panels.



E33 fire package with platinum bright embers.

Specifications	Natural Gas	Propane
Input (BTU)	38,000	35,500
Turn down to (BTU)	20,000	19,000
EnerGuide Rating*	60.79%	61.52%
Efficiency (steady state)	83%	84%

Minimum Fireplace Opening Faceplate	Contour/ Full screen doors		Excalibur
	Contour/ Full screen doors	Excalibur	
Width (front)	32-1/4"	34-1/2"	
Width (rear)	25"	25"	
Height	24-3/16"	26"	
Depth	16-3/4"	17-3/4"	

* for Canada only
For detailed specifications please see pages 18-19.

Standard Features

- Natural Gas
- Beautiful fire with glowing logs and platinum bright embers
- Flame height adjustment control with 50% turn down
- Flush front with ceramic safety glass
- Easy access controls
- Variable speed blower
- 30° angled flue for versatile installations
- Direct Vent

Optional Features

- Excalibur surround, double doors & accent kits
- Contemporary surround and door frame
- Contour faceplate
- Louvers
- Full screen doors
- Brick panels
- Hearth trims - various sizes
- FireGenie® Remote Control
- Wall thermostat
- Regency flex venting
- Propane conversion kit

Energy U31 & U32

Medium Gas Insert



Regency U31 Gas Insert featuring Excalibur surround and double doors in black, gold accents & brick panels.

This Direct Vent Insert is a complete fireplace system that can turn your existing wood fireplace into a high efficiency, clean burning gas heater. Choose from several faceplates, designer fronts (including Excalibur arched surrounds), many finishes, brick panels and so much more! Enjoy peace of mind even during power outages, all Regency gas inserts operate without electricity.





U32 shown with black louvers, brick panels, and contour faceplate.



U31 shown with bay front, gold louvers, herringbone brick panels and contour faceplate.

U32 shown with gold louvers, brick panels and molded faceplate.

U32 shown with full screen door in black and brick panels.

Specifications (NG)	U32	U31
Input (BTU)	30,000	30,000
Turn down to (BTU)	15,300	14,500
EnerGuide Rating*	57.17%	52.9%
Efficiency (steady state)	76%	76%

Minimum Fireplace Opening Faceplate	Contour/ Full screen doors		Molded
	Width (front)	26-1/2"	29"
Width (rear)	22-1/2"	22-1/2"	
Height	22"	21"	
Depth	14"	16"	

* for Canada only

For detailed specifications please see pages 18-19.

Standard Features

- Natural Gas
- Beautiful fire with glowing logs, platinum bright embers and fire grate
- Flame height adjustment control with 50% turn down
- Flush front with ceramic safety glass
- Easy access controls
- Variable speed blower
- Direct Vent (U32)
- B Vent (U31)

Optional Features

- Excalibur surround, double doors & accent kits
- Contour or molded faceplates
- Glass bay front
- Louvers
- Full screen doors
- Glass trim (bay only)
- Brick panels
- Hearth trims - various sizes
- FireGenie® Remote Control
- Wall thermostat
- New fireplace kit (U31 only)
- Regency flex venting
- Propane conversion kit

Energy E21

Small Gas Insert



Energy E21 Gas Insert featuring flush front, contour faceplate, brushed steel louvers and standard brick panels.

If you have a smaller fireplace opening or want to heat a smaller living space, you don't have to sacrifice a beautiful fire and high efficiency. The E21 Energy Gas Insert has been designed to fit almost anywhere – including bedrooms and alcoves. Enjoy consistent, controllable, convenient heat at the flick of a switch.





Shown with flush front, gold louvers, brick panels and molded faceplate.



Shown with black full screen doors and herringbone brick panels.

Shown with midnight brown full screen doors and herringbone brick panels.

Shown with black louvers, brick panels and contour faceplate.

Specifications	Natural Gas	Propane
Input (BTU)	23,500	22,500
Turn down to (BTU)	11,750	11,250
EnerGuide Rating*	60.60%	53.48%
Efficiency (steady state)	77%	78%

Minimum Fireplace Opening Faceplate	Contour/ Full screen doors		Molded
	Contour/ Full screen doors	Molded	
Width (front)	26-1/2"	29-1/8"	
Width (rear)	18"	18"	
Height	17-3/4"	18-5/8"	
Depth	14"	15"	

* for Canada only
For detailed specifications please see pages 18-19.

Standard Features

- Natural Gas
- Beautiful fire with glowing logs and platinum bright embers
- Flame height adjustment control with 50% turn down
- Flush front with ceramic safety glass
- Easy access controls
- Variable speed blower
- B Vent

Optional Features

- Contour or molded faceplates
- Glass bay front
- Louvers
- Full screen doors
- Glass trim (bay front only)
- Brick panels
- Hearth trims - various sizes
- FireGenie® Remote Control
- Wall thermostat
- New fireplace kit
- Regency flex venting
- Propane conversion kit

Liberty L234

Small Gas Insert



Liberty L234 gas insert featuring a contemporary faceplate, brick panels and hearth riser.

The Regency® Liberty L234 is a clean front fireplace insert that will slide easily into your dated, drafty steel fireplace and create high efficient warmth in minutes. Choose from 2 tasteful fireplace finishing faceplates that frame the beautiful fire while covering the gap in your fireplace opening for a sleek, finished look. Enjoy a full fire with platinum bright embers and high efficiency, controllable heat.





Shown with contour faceplate, hearth riser and brick panels.



Shown with contemporary faceplate, hearth riser, backing plate and brick panels.



Shown with contour faceplate, hearth riser, backing plate and brick panels.



L234 fire package with platinum bright embers.

Specifications	Natural Gas	Propane
Input (BTU)	23,500	21,500
Turn down to (BTU)	12,500	11,000
EnerGuide Rating*	63.3%	64.5%
Efficiency (steady state)	74%	74%

Minimum Fireplace Opening Faceplate	Faceplate	
	Contour	Contemporary
Width (front)	25"	25"
Width (rear)	16"	16"
Height	17"	17"
Depth	14"	14"

* for Canada only

For detailed specifications please see pages 18-19.

Standard Features

- Natural Gas
- Flush Front with Ceramic Safety Glass
- Realistic Logs with Beautiful Flames and platinum bright embers
- 30° Angled Flue (for versatile installation)
- Clean Front 234 sq. in. Viewing Area
- Variable Speed Blower
- Easy Access Controls
- Flame Height Adjustment with up to 50% turndown
- Easy Clean Glass System
- Direct Vent

Optional Features

- Brick Panels
- Contemporary or Contour Faceplate
- Customizable Backing Plate
- Adjustable Hearth Riser
- Wall Thermostat or FireGenie® Remote
- Regency Flex Venting
- 3" to 2" air intake reducer
- Propane conversion kit



You deserve a fireplace makeover



before

Problem:

- ◆ I have a drafty wood or gas fireplace.
- ◆ I have inefficient gas logs.
- ◆ I need an updated fireplace style.



after

Solution:

- ◆ Choose the gas fireplace insert that fits your opening and install
- ◆ Voila! Updated fire, updated fireplace style, and much lower heating bill.

comfort controls

FireGenie® Remote Control

The FireGenie offers heat control at the touch of a button. Set the time and temperature so that your fire warms your home automatically.

Programmable Wall Thermostat

By setting a specific temperature with a Regency® wall thermostat you can maintain a constant comfort level in your home for several hours or all day long.



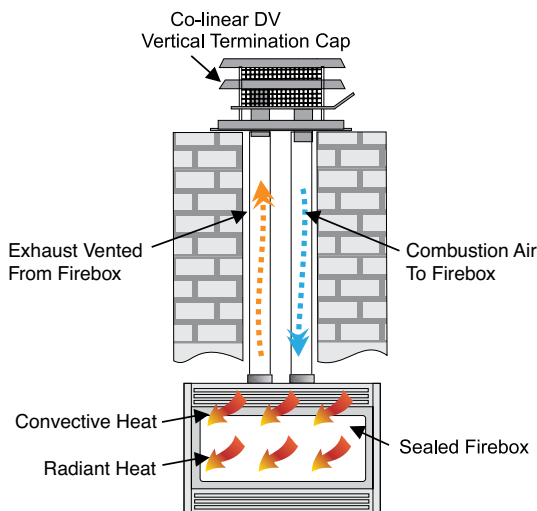
Stop losing heat



Older fireplaces have efficiency ratings of just 5-10%. This low efficiency is due to the open combustion design that allows the heated room air to be drawn into the fire, wasting energy and cooling the rest of the house.

In contrast, a fireplace insert is an insulated, sealed system with high efficiency that translates into more heat output and helps you save money on your heating bills.

what is direct vent?



A Regency® Gas Insert is a specially engineered, sealed fireplace that slips into your existing masonry or pre-fab fireplace to create a high efficiency heating system with a beautiful fire. The airtight firebox means that you will keep all of the comforting heat generated from your Regency inside your home. Even when your fireplace is turned off, you will not lose heat up the chimney.

All the air used by the fireplace for combustion comes from outside the home and is vented to outside the home maintaining indoor air quality.

You want a direct vent gas insert if you:

- live in an airtight house.
- have a basement application.



design choices

Glass Front Styles



Flush front



Bay front

Louvers



Gold



Brushed Steel



Black

Excalibur surround finishes



Black



Antique Copper*



Antique Nickel*

Full Screen Door finishes



Black



Midnight Brown



Midnight Gray

Brick Panels



Herringbone - Rustic Brown



Standard - Rustic Brown



Standard - Old Town Red

*Note: The antique copper and nickel finishes are made from genuine copper and nickel that will naturally change tone over time and might not appear exactly as shown.



Accessories - at a glance			E33S	U32S	E33	U32	U31	E21	L234
Flush Front			✓	✓	✓	✓	✓	✓	✓
Bay Glass Front			-	-	-	★	★	★	-
Sunrise™ fire	Cobalt blue crystals		✓	✓	-	-	-	-	-
	Crystals- various colors		★	★	-	-	-	-	-
	Ceramic spa stones		★	★	-	-	-	-	-
Classic look	Faceplates	Contemporary	★	★	★	-	-	-	★
		Molded	-	-	-	★	★	★	-
		Contour	-	-	★	★	★	★	★
		Custom	-	-	-	★	★	★	-
	Louvers	Black	-	-	★	★	★	★	-
		Black/Brushed Steel	-	-	★	★	★	★	-
		Black/Gold	-	-	★	★	★	★	-
	Glass Trim Flush	Brushed Steel	-	-	-	★	-	-	-
	Glass Trim Bay	Gold	-	-	-	★	★	★	-
	Excalibur Arch Surrounds	Surround	Antique Nickel	-	-	-	-	★	-
Antique Copper			-	-	-	-	★	-	-
Black			-	-	★	-	★	-	-
Excalibur double screen doors		Antique Nickel	-	-	-	-	★	-	-
		Antique Copper	-	-	-	-	★	-	-
		Black	-	-	★	-	★	-	-
Accent kit		Nickel	-	-	★	-	★	-	-
		Gold	-	-	★	-	★	-	-
Full Screen Doors	Black		-	-	★	★	★	★	-
	Midnight Brown		-	-	★	★	★	★	-
	Midnight Gray		-	-	★	★	★	★	-
Brick Panels	Standard - Rustic Brown		-	-	★	★	★	★	★
	Standard - Old Town Red		-	-	★	★	★	★	★
	Herringbone - Rustic Brown		-	-	-	★	★	★	-
Hearth Trim (for sizes see page 22)			-	-	★	★	★	★	★
New Fireplace Kit (zero clearance kit)			-	-	-	-	★	★	-
Blower (with fan speed controller)			✓	✓	✓	✓	✓	✓	✓
Wall Thermostat			★	★	★	★	★	★	★
FireGenie™ Remote Control			★	★	★	★	★	★	★
Faceplate Mounted on/off Switch			✓	✓	✓	✓	✓	✓	✓
Direct Vent			✓	✓	✓	✓	-	-	✓
B-Vent			-	-	-	-	✓	✓	-
Propane conversion kit			★	★	★	★	★	★	★

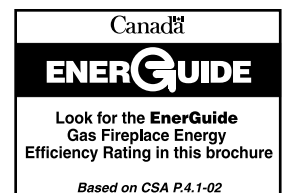
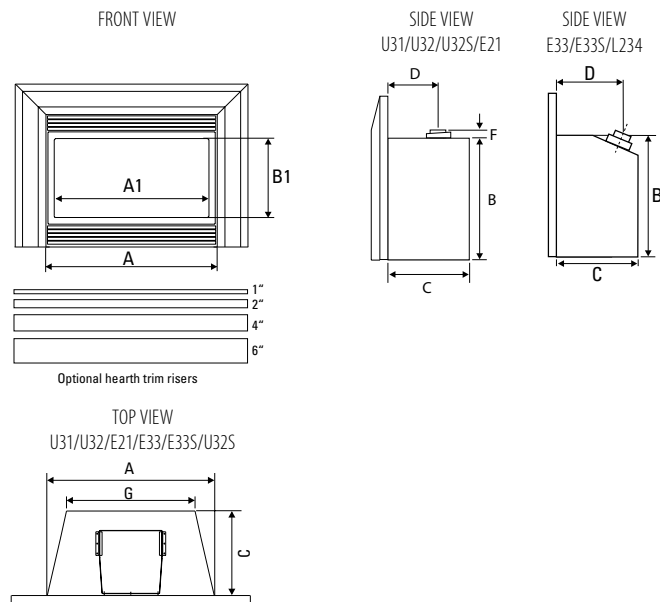
- Not available
- ✓ Standard
- ★ Optional

specifications

Specifications		E33S	U32S	E33	U32	U31	E21	L234
Input (BTU)	Natural Gas	26,000	24,500	38,000	30,000	30,000	23,500	23,500
	Propane	23,000	20,500	35,500	30,000	27,500	22,500	21,500
Turn Down to (BTU)	Natural Gas	13,500	16,500	20,000	15,300	14,500	11,750	12,500
	Propane	12,000	17,000	19,000	15,000	13,700	11,250	11,000
EnerGuide Rating (Canada only)	Natural Gas	55.50%	49.01%	60.79%	57.17%	52.9%	50.60%	63.3%
	Propane	56.46%	48.02%	61.52%	57.17%	48.07%	53.48%	64.5%
Efficiency (steady state)	Natural Gas	70%	67%	83%	76%	76%	77%	74%
	Propane	72%	70%	84%	77%	77%	78%	74%

Dimensions	E33S	U32S	E33	U32	U31	E21	L234
A	32-1/4"	28"	32-1/4"	28"	27-7/8"	26"	24-3/4"
B	23-13/16"	20"	23-13/16"	20"	20-1/4"	17-1/2"	16-7/8"
A1	27-7/8"	N/A	30-3/8"	24-1/4"	24-1/2"	24-1/2"	17-3/4"
B1	13-3/4"	N/A	14-7/8"	11-3/8"	12-5/8"	10-7/8"	12-1/2"
C	16-3/4"	13-3/4"	16-1/2"	13-3/4"	13-1/2"	13-1/4"	13"
D	11-3/8"	10-3/4"	11-3/8"	10-3/4"	11-3/4"	10-3/4"	11-3/4"
E	-	-	-	3-3/4"	3-3/4"	3-3/4"	-
F	-	1-1/16"	-	1-1/16"	5/8"	1"	-
G	24-1/2"	22-1/2"	24-1/2"	22-1/2"	22-1/2"	17-1/2"	14-3/4"

Minimum Fireplace Openings		Width (front)	Width (rear)	Height	Depth
E33S	contemporary faceplate	32-1/4"	25"	24-3/16"	16-3/4"
U32S	contemporary faceplate	26-1/2"	22-1/2"	22"	14"
E33	contour faceplate	32-1/4"	25"	24-3/16"	16-3/4"
	contemporary faceplate	32-1/4"	25"	24-3/16"	16-3/4"
	full screen doors	32-1/4"	25"	24-3/16"	16-3/4"
	Excalibur surround	34-1/2"	25"	26"	17-3/4"
U32	contour faceplate	26-1/2"	22-1/2"	22"	14"
	molded faceplate	29"	22-1/2"	22"	15"
	full screen doors	26-1/2"	22-1/2"	22"	14"
U31	contour faceplate	26-1/2"	22-1/2"	21"	15"
	molded faceplate	29"	22-1/2"	21"	16"
	full screen doors	26-1/2"	22-1/2"	21"	15"
	Excalibur surround	29"	22-1/2"	21"	16"
E21	contour faceplate	26-1/2"	18"	17-3/4"	14"
	molded faceplate	29-1/8"	18"	18-5/8"	15"
	full screen doors	26-1/2"	18"	17-3/4"	14"
L234	contemporary faceplate	25"	16"	17"	14"
	contour faceplate	25"	16"	17"	14"



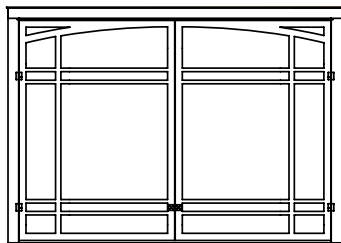
NOTE: All product specifications are subject to change without notice. Before installing refer to the relevant product manual for full and up to date information.



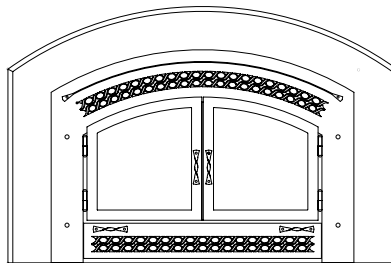
Faceplates	E33S		U32S		E33		U32		U31		E21		L234	
	Width	Height	Width	Height	Width	Height	Width	Height	Width	Height	Width	Height	Width	Height
Contemporary	47-1/2"	30-5/8"	40-13/16"	26-1/4"	47-1/2"	30-5/8"	--	--	--	--	--	--	27-3/4"	21"
Contour Standard	--	--	--	--	45-9/16"	31-1/8"	40-1/8"	26-1/8"	40-1/8"	26-1/8"	40-1/8"	23-3/4"	27-1/2"	20-3/4"
Contour Oversize	--	--	--	--	49-9/16"	33-1/8"	44-1/8"	28-1/8"	44-1/8"	28-1/8"	44-1/8"	25-3/4"	--	--
Custom Flat	--	--	--	--	--	--	48"	34"	48"	34"	48"	32"	--	--
Molded	--	--	--	--	--	--	39-7/8"	26"	39-7/8"	26"	39-7/8"	23-5/8"	--	--
Hearth Trim - sizes	1" 2" 4" 6" for contour faceplate 4" for molded faceplate 2", 4" for contemporary faceplate up to 9" for L234 contemporary or contour													
Excalibur surround	--	--	--	--	45-9/16"	33-1/4"	--	--	40-1/8"	27-7/8"	--	--	--	--

* depth = 2"

Full Screen Doors



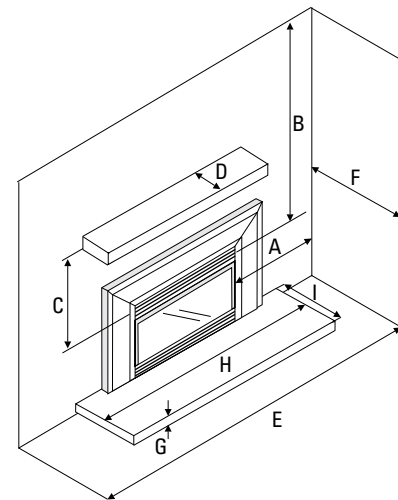
Excalibur Surround



Minimum Clearance to Combustibles		E33	E33S	U32S	U31/32	E21	L234
A	Side Wall	8"	8"	10"	10"	9"	8"
B	Ceiling	47"	47"	47-1/2"	47-1/2"	36"	56"
C	Mantel Height (min.)	15"	15"	13"	13"	14"	21"
D	Mantel Depth (min.)	3-1/2"	3-1/2"	3-1/2"	3-1/2"	3-1/2"	1"
E	Alcove Width	76"	76"	48"	48"	48"	60"
F	Max. Alcove Depth	36"	36"	36"	36"	36"	36"

Non-Combustible Hearth Requirement		E33	E33S	U32S	U31/32	E21	L234
G	Hearth Height	1-1/4"	0"	0"	0"	0"	1-1/2"
H	Hearth Width	45-1/2"	0"	0"	0"	0"	28"
I	Hearth Depth	13"	0"	0"	0"	0"	12"

Note: Before installing please refer to the product manual.



The Regency Gas Inserts are listed as: Vented Gas Fireplace Heater and Certified for: CANADA and USA
The Regency Gas Inserts are tested & approved by Intertek Warnock Hersey to the following standards:

MODEL	ANSI	CSA	CAN/CGA	Approval #:	Approved for:
E33-1	Z21.88b-2003	2.33b-2003	2.17-M91	303530	Bedroom, Alcove & Mobile Homes
E33S-1	Z21.88a-2007	2.33a-2007	2.17-M91	16042	Bedroom, Alcove & Mobile Homes
U32S-5	Z21.88a-2007	2.33a-2007	2.17-M91	16116	Bedroom, Alcove & Mobile Homes
U32-5	Z21.88a-2007	2.33a-2007	2.17-M91	16117	Bedroom, Alcove & Mobile Homes
U31-2	Z21.88b-2003	2.33b-2003	2.17-M91	15948	Bedroom & Alcove
E21-3	Z21.88a-2007	2.33a-2007	2.17-M91	16353	Bedroom & Alcove
L234	Z21.88-2005	2.33-2005	2.17-M91	3118729C0Q-002	Bedroom, Alcove & Mobile Homes



design your own fireplace

Your Regency® matches your home and lifestyle perfectly. How do we know that? Because you designed it yourself!

Visit www.regency-fire.com today and surf through our selection of products and accessories to design your own fireplace. The endless options are just a click away! Change the style until you have your perfect fireplace... then ask your friends and family for their opinion!

Click on Fireplace Design Centre at www.regency-fire.com and then visit your authorized local dealer to design your own fireplace.

fireplace selection worksheet

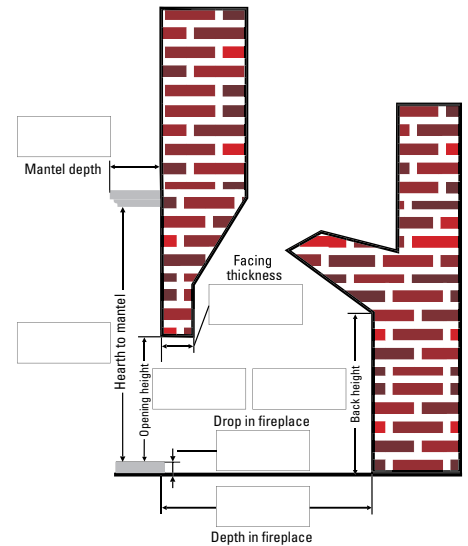
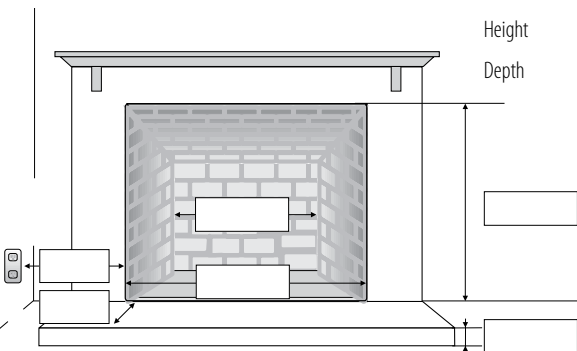
We want you to enjoy your beautiful Regency fireplace for years to come. To help you figure out which product is just right for your home, fill in the following worksheet. Once complete, visit your nearest Regency dealer. Your professional Regency dealer will assess your needs - including local building codes - and install your Regency.

1. BASIC PRODUCT FUNCTION QUESTIONS

- a. I would like my inbuilt to provide me with: Supplemental heating Priority heating
- b. The room/rooms I would like to heat are: _____ Square feet
- c. My fuel source will be: Natural gas Propane
- Has gas been piped to the proposed fireplace area? Yes No

2. FIREPLACE PRODUCT TYPE AND MEASUREMENTS

- a. I am: Installing a new fireplace Installing into an existing fireplace
- b. Fill in the following measurements:
- Ceiling Height: _____
- Location in the room: _____
- c. What is the:
- Flooring material: _____
- Wall material: _____
- Ceiling material: _____
- d. Fireplace opening dimensions
- Width (front) _____
- Width (back) _____
- Height _____
- Depth _____



www.regency-fire.com

your regency dealer