



WELCOME HOME TO WARMTH



Full Line of Standard, See-Thru
and Peninsula Fireplaces

B-Vent Fireplace Systems

The Economical Venting Choice



Vantage Hearth's Performance B-Vent Fireplace System shown with optional glass doors and brass perimeter trim

Fireplace Beauty with Convenience of B-Vent Technology

Beautiful split refractory logs over deep glowing ember beds highlight Vantage Hearth's B-Vent fireplace offerings. These elegant fireplaces are available in three lines: Value, Performance and Premium. The Value and Performance lines are available in 32-inch models. The Premium line is offered in 36-inch and 42-inch models. All offer the flexibility of accessing the gas controls through either the lower face panel or refractory floor, to allow installation of a full face surround.

The 15,000 Btu Value line comes with a 4-inch venting system. The Performance line features 25,000 Btu with a 5-inch venting system and the Premium line delivers up to 45,000 Btu with a 6-inch venting system.

All models are available with hidden screen pockets, refractory brick floor and remote ready millivolt ignition. Additionally Vantage Hearth's Premium line of B-Vent fireplaces feature a built-in flue damper which reduces home heat loss when the fireplace is not in use. Multi-view fireplaces are available in See-Thru and Peninsula models.

Vantage Hearth's B-Vent Gas Fireplace Systems offer the beauty of a wood burning fireplace with the convenience and economy of natural gas or propane. With no outside brick chimney required, these fireplaces install almost anywhere in a home. All that is needed is an inexpensive B-Vent chimney system.

Vantage Hearth's new B-Vent line offers a full range of choices and options. B-Vent is the ideal fireplace look for smaller, energy efficient homes. And with Vantage Hearth's wide variety you can't go wrong.

All B-Vent fireplaces feature:

- Beautiful split refractory log set*
- Hidden screen pockets
- Pre-wired electrical "J" box
- Available with millivolt or electronic ignition controls



Premium B-Vent Fireplace shown with optional herringbone brick liner

* Performance and Premium models only

Photo on Cover - Premium B-Vent Fireplace System shown with optional herringbone brick liner, black perimeter trim and black filigree

ACCESSORIES SPECIFICATIONS

VANGUARD B-VENT ACCESSORIES					
MODEL NO	DESCRIPTION	SHIPPINGWT.	MODEL NO	DESCRIPTION	SHIPPINGWT.
MLCR	Receiver and Hand-Held On/Off Remote Control Kit	1.0 lb.	FP36P	36" Filigree Panel Kit - Platinum	9.0 lbs.
WRC	Receiver and Hand-Held On/Off Remote Control (For Use with Electronic Models)	1.0 lb.	LT36B	36" 4-Piece Louver Trim Kit - Brushed Brass	3.0 lbs.
GWMS2	Wall Mount - On/Off Switch Kit	1.0 lb.	LT36P	36" 4-Piece Louver Trim Kit - Platinum	3.0 lbs.
BK	Manual Blower, Variable Speed*	5.0 lbs.	PT36	36" Perimeter Trim Kit - Black	3.0 lbs.
AK4	Outside Air Kit with Collar, Hood & 3' Flex Line	3.0 lbs.	PT36B	36" Perimeter Trim Kit - Brushed Brass	3.0 lbs.
AK4X	Outside Air Kit with Collar and Hood Only, No Flex Line	2.0 lbs.	PT36P	36" Perimeter Trim Kit - Platinum	3.0 lbs.
AK4B	Outside Air Kit Collar Only, 50-pc. Bulk	20.0 lbs.	BL36S	36" Refractory Brick Liner Kit - Gray	84.0 lbs.
VALUE & PERFORMANCE LINE B-VENT ACCESSORIES					
MODEL NO	DESCRIPTION	SHIPPINGWT.	MODEL NO	DESCRIPTION	SHIPPINGWT.
BD32	32" Aluminum Bi-Fold Glass Door - Black	15.0 lbs.	BD42	42" Aluminum Bi-Fold Glass Doors - Black	18.0 lbs.
BD32B	32" Aluminum Bi-Fold Glass Door - Brushed Brass	15.0 lbs.	BD42B	42" Aluminum Bi-Fold Glass Doors - Brushed Brass	18.0 lbs.
BD32P	32" Aluminum Bi-Fold Glass Door - Platinum	15.0 lbs.	BD42P	42" Aluminum Bi-Fold Glass Doors - Platinum	18.0 lbs.
SP32	32" Smooth Faced Panel Kit - Black	7.0 lbs.	SP42	42" Smooth Faced Panel Kit - Black	6.0 lbs.
SL32	32" Stamped Louver Panel Kit - Black	7.0 lbs.	SL42	42" Stamped Louver Panel Kit - Black	6.0 lbs.
RL32	32" Rolled Louver Panel Kit - Black	7.0 lbs.	RL42	42" Rolled Louver Panel Kit - Black	11.0 lbs.
FP32	32" Filigree Panel Kit - Black	7.0 lbs.	FP42	42" Filigree Panel Kit - Black	6.0 lbs.
FP32B	32" Filigree Panel Kit - Brushed Brass	7.0 lbs.	FP42B	42" Filigree Panel Kit - Brushed Brass	6.0 lbs.
FP32P	32" Filigree Panel Kit - Platinum	7.0 lbs.	FP42P	42" Filigree Panel Kit - Platinum	6.0 lbs.
LT32B	32" 4-Piece Louver Trim Kit - Brushed Brass	3.0 lbs.	LT42B	42" 4-Piece Louver Trim Kit - Brushed Brass	4.0 lbs.
LT32P	32" 4-Piece Louver Trim Kit - Platinum	3.0 lbs.	LT42P	42" 4-Piece Louver Trim Kit - Platinum	4.0 lbs.
PT32	32" Perimeter Trim Kit - Black	2.0 lbs.	PT42	42" Perimeter Trim Kit - Black	4.0 lbs.
PT32B	32" Perimeter Trim Kit - Brushed Brass	2.0 lbs.	PT42B	42" Perimeter Trim Kit - Brushed Brass	4.0 lbs.
PT32P	32" Perimeter Trim Kit - Platinum	2.0 lbs.	PT42P	42" Perimeter Trim Kit - Platinum	4.0 lbs.
BL32S	32" Refractory Brick Liner Kit	40.0 lbs.	BL42S	42" Refractory Brick Liner Kit	112.0 lbs.
SEE-THRU B-VENT LINE ACCESSORIES					
MODEL NO	DESCRIPTION	SHIPPINGWT.	MODEL NO	DESCRIPTION	SHIPPINGWT.
FM36CP	36" Face Mantel - Primed, Classic Design	69.0 lbs.	DCGL36ST	See-Thru Aluminum Glass Doors - Platinum	36.0 lbs.
DCGL36ST	See-Thru Aluminum Glass Doors - Platinum	36.0 lbs.	DBBGL36ST	See-Thru Aluminum Glass Doors - Brushed Brass	36.0 lbs.
DBBGL36ST	See-Thru Aluminum Glass Doors - Brushed Brass	36.0 lbs.	DBGL36ST	See-Thru Aluminum Glass Doors - Deluxe Black	36.0 lbs.
DBGL36ST	See-Thru Aluminum Glass Doors - Deluxe Black	36.0 lbs.	PENINSULA B-VENT LINE ACCESSORIES		
MODEL NO	DESCRIPTION	SHIPPINGWT.	MODEL NO	DESCRIPTION	SHIPPINGWT.
BD36	36" Aluminum Bi-Fold Glass Doors - Black	16.0 lbs.	DCGL36PN	Peninsula Aluminum Glass Doors - Platinum Finish	36.0 lbs.
BD36B	36" Aluminum Bi-Fold Glass Doors - Brushed Brass	16.0 lbs.	DBGL36PN	Peninsula Aluminum Glass Doors - Brushed Brass	36.0 lbs.
BD36P	36" Aluminum Bi-Fold Glass Doors - Platinum	16.0 lbs.	DBGL36PN	Peninsula Aluminum Glass Doors - Deluxe Black	40.0 lbs.
SP36	36" Smooth Faced Panel Kit - Black	5.0 lbs.			
SL36	36" Stamped Louver Panel Kit - Black	5.0 lbs.			
RL36	36" Rolled Louver Panel Kit - Black	9.0 lbs.			
FP36	36" Filigree Panel Kit - Black	9.0 lbs.			
FP36B	36" Filigree Panel Kit - Brushed Brass	9.0 lbs.			

Accessories To Complete The Look

Customize your Vantage Hearth B-Vent Firebox with a variety of optional blowers, louver kits, and remote controls. All models can be paired with louver trim kits, filigree, perimeter trim and glass doors. Accessories are available in brushed brass, platinum and black finishes. The bi-fold glass doors are easy to install and operate. They offer an exciting view of the fire while reducing heat loss.

The beautiful louvers and louver trim kits easily snap into place and the attractive firebox perimeter trim is a convenient way to cover unfinished edges around the firebox. Optional refractory brick liners are also available to enhance the look of the firebox. An optional triple fan or variable speed deluxe blower can be added to louvered/circulating models to increase the air flow and maximize heat distribution.

PRODUCT SPECIFICATIONS

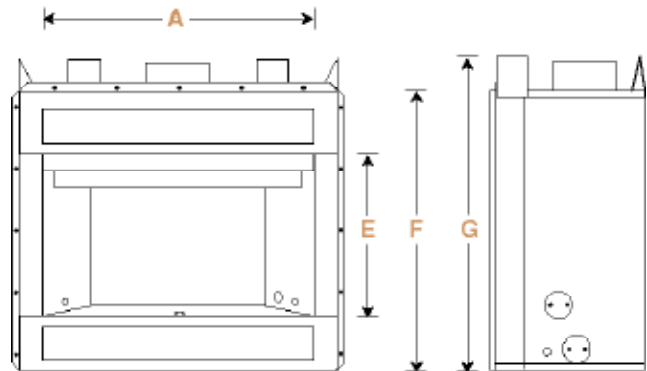
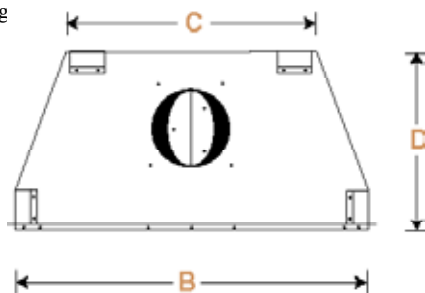
VALUE LINE SERIES				
MODEL NO	DESCRIPTION	FUEL TYPE	BTU INPUT	SHIPPING WT.
VP3241	32" Zero Clearance Non-Circulating Smooth Face, B-Vent Natural Gas, Remote Ready Fireplace and Distinctive Fiber Logs with U-Burner. Uses 4" Venting	Natural Natural	15,000	72.0 lbs.
PERFORMANCE LINE SERIES				
MODEL NO	DESCRIPTION	FUEL TYPE	BTU INPUT	SHIPPING WT.
VP3251	32" Zero Clearance Non-Circulating Smooth Face, B-Vent, Natural Gas, Remote Ready Fireplace and Luxurious Split Refractory Log Set with Ember Pan-Burner Uses 5" Venting.	Natural	25,000	95.0 lbs.
VP325B1	32" Zero Clearance Non-Circulating Smooth Face, B-Vent, Natural Gas, Remote Ready Fireplace and Luxurious Split Refractory Log Set with Ember Pan-Burner Uses 5" Venting. Includes Standard Refractory Brick Liner.	Natural	25,000	135.0 lbs.
PREMIUM LINE SERIES				
MODEL NO	DESCRIPTION	FUEL TYPE	BTU INPUT	SHIPPING WT.
VM361	36" Zero Clearance Non-Circulating Smooth Face, B-Vent, Remote Ready Fireplace with Multidimensional Log Arrangement. Uses 6" Venting.	Natural	40,000	140.0 lbs.
VM36E1*	36" Zero Clearance Non-Circulating Smooth Face, B-Vent, Remote Ready Fireplace with Multidimensional Log Arrangement. Uses 6" Venting.	Natural	40,000	140.0 lbs.
VM36B1	36" Zero Clearance Non-Circulating Smooth Face, B-Vent, Remote Ready Fireplace with Multidimensional Log Arrangement. Uses 6" Venting. Includes Standard Refractory Brick Liner.	Natural	40,000	225.0 lbs.
VM36EB1*	36" Zero Clearance Non-Circulating Smooth Face, B-Vent, Remote Ready Fireplace with Multidimensional Log Arrangement. Uses 6" Venting. Includes Herringbone Refractory Brick Liner	Natural	40,000	225.0 lbs.
VM36H1	36" Zero Clearance Non-Circulating Smooth Face, B-Vent, Remote Ready Fireplace with Multidimensional Log Arrangement. Uses 6" Venting. Includes Standard Refractory Brick Liner	Natural	40,000	225.0 lbs.
VM36EH1*	36" Zero Clearance Non-Circulating Smooth Face, B-Vent, Remote Ready Fireplace with Multidimensional Log Arrangement. Uses 6" Venting. Includes Herringbone Refractory Brick Liner	Natural	40,000	225.0 lbs.
VM421	42" Zero Clearance Non-Circulating Smooth Face, B-Vent, Remote Ready Fireplace with Multidimensional Log Arrangement. Uses 6" Venting.	Natural	45,000	162.0 lbs.
VM42E1*	42" Zero Clearance Non-Circulating Smooth Face, B-Vent, Remote Ready Fireplace with Multidimensional Log Arrangement. Uses 6" Venting.	Natural	45,000	162.0 lbs.
VM42B1	42" Zero Clearance Non-Circulating Smooth Face, B-Vent, Remote Ready Fireplace with Multidimensional Log Arrangement. Uses 6" Venting. Includes Standard Refractory Brick Liner	Natural	45,000	257.0 lbs.
VM42EB1*	42" Zero Clearance Non-Circulating Smooth Face, B-Vent, Remote Ready Fireplace with Multidimensional Log Arrangement. Uses 6" Venting. Includes Herringbone Refractory Brick Liner	Natural	45,000	257.0 lbs.
VM42H1	42" Zero Clearance Non-Circulating Smooth Face, B-Vent, Remote Ready Fireplace with Multidimensional Log Arrangement. Uses 6" Venting. Includes Standard Refractory Brick Liner	Natural	45,000	257.0 lbs.
VM42EH1*	42" Zero Clearance Non-Circulating Smooth Face, B-Vent, Remote Ready Fireplace with Multidimensional Log Arrangement. Uses 6" Venting. Includes Herringbone Refractory Brick Liner.	Natural	45,000	257.0 lbs.
PENINSULA SERIES				
MODEL NO	DESCRIPTION	FUEL TYPE	BTU INPUT	SHIPPING WT.
VGL36PN	36" Zero Clearance Non-Circulating Smooth Face, Peninsula B-Vent, Remote Ready Fireplace with Multidimensional Log Arrangement. Uses 6" Venting. Includes Standard Refractory Brick Liner.	Natural	42,000	220.0 lbs.
VGL36PNP	36" Zero Clearance Non-Circulating Smooth Face, Peninsula B-Vent, Remote Ready Fireplace with Multidimensional Log Arrangement. Uses 6" Venting. Includes Standard Refractory Brick Liner.	Propane	42,000	220.0 lbs.
SEE-THRU SERIES				
MODEL NO	DESCRIPTION	FUEL TYPE	BTU INPUT	SHIPPING WT.
VGL36ST	36" Zero Clearance Non-Circulating Smooth Face, See-Thru B-Vent, Remote Ready Fireplace with Multidimensional Log Arrangement. Uses 6" Venting. Includes Standard Refractory Brick Liner.	Natural	42,000	265.0 lbs.
VGL36STP	36" Zero Clearance Non-Circulating Smooth Face, See-Thru B-Vent, Remote Ready Fireplace with Multidimensional Log Arrangement. Uses 6" Venting. Includes Standard Refractory Brick Liner.	Propane	42,000	265.0 lbs.

* Electronic Ignition Models, REQUIRE ELECTRICITY TO OPERATE, New York & California Only Allow Installation of Electronic Models Only

B-Vent Fireplace Systems

MODEL#	A	B	C	D	E	F	G
32"	29 1/2"	34 1/2"	22 3/8"	16 3/4"	18 1/4"	32 1/4"	36 1/2"
36"	35"	41"	29"	21 1/8"	21"	36"	40 5/8"
42"	42"	48"	36 1/16"	23 1/16"	24"	40"	44 1/4"

Note: Dimensions on this catalog are approximate. For accurate dimensions, refer to the installation instructions.



IMPORTANT

Installation must be done by qualified service persons. Read Owner's Manual before using. Check local codes and ordinances for permitted uses. All products approved for manufactured (mobile) home installation. We reserve the right to amend product specifications without notice. Operating an appliance at very high elevations could cause nuisance outages.

Use with adequate air (ventilation) only. Humidifies while it heats. Provides water vapor in the area heated. Refer to owner's manual for specifics. The only warranty we offer is our standard warranty. Please read the warranty for any limitations or disclaimers.

